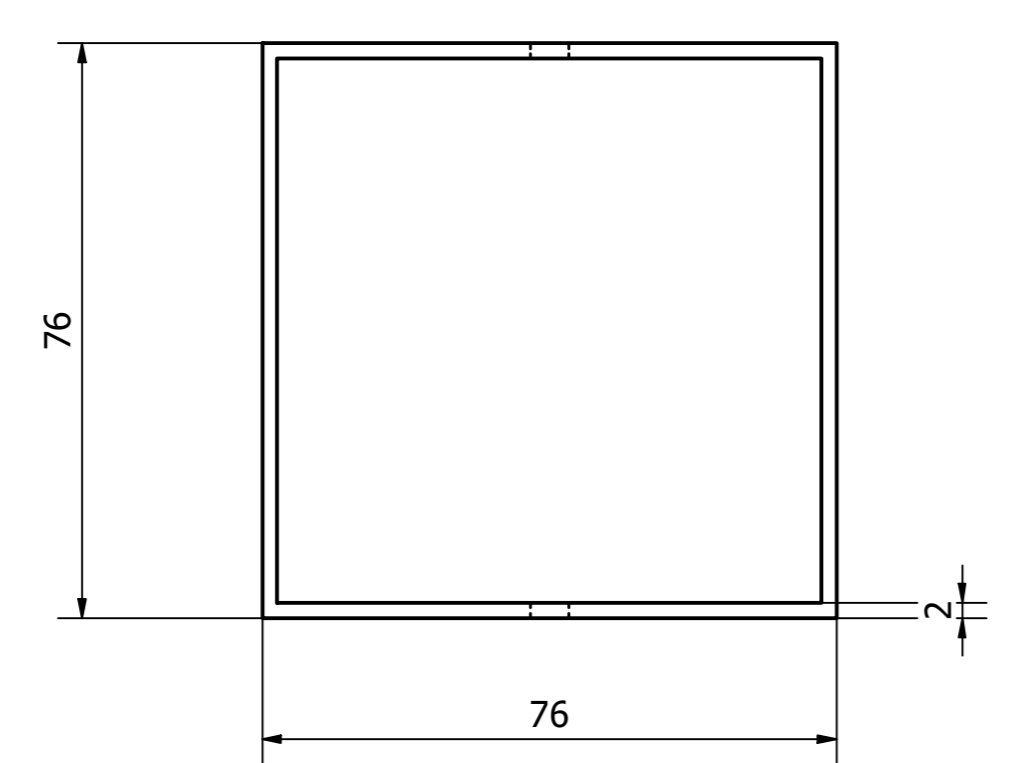
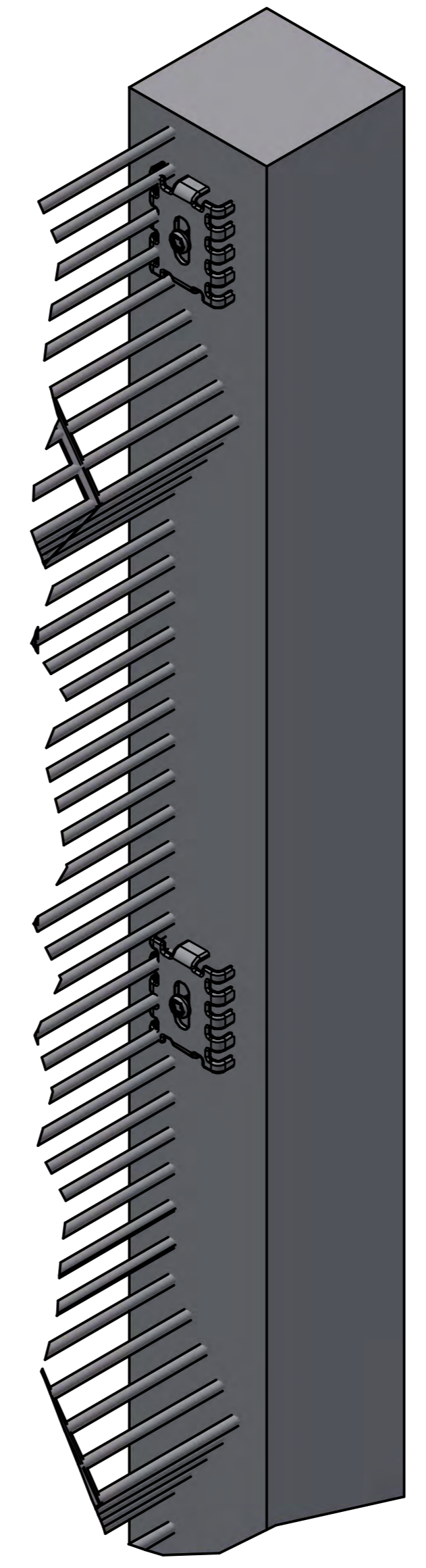


40 X 40X 5 THK
SPIDER CLAMP



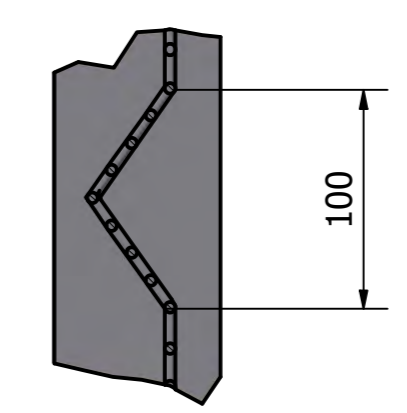
SQ TUBING 76X76X2mm



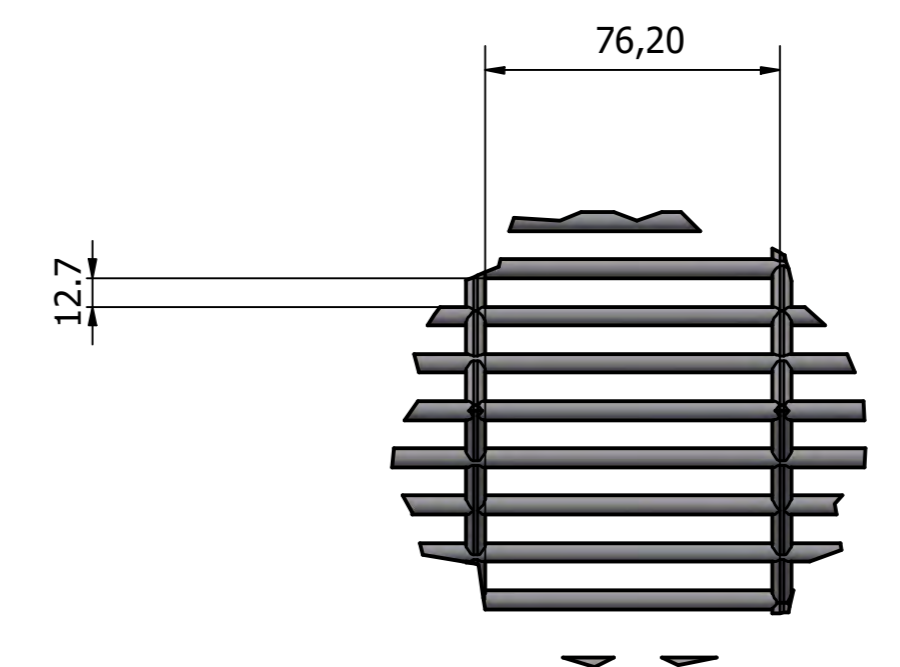
CLAMP DETAIL
A (1 : 2)



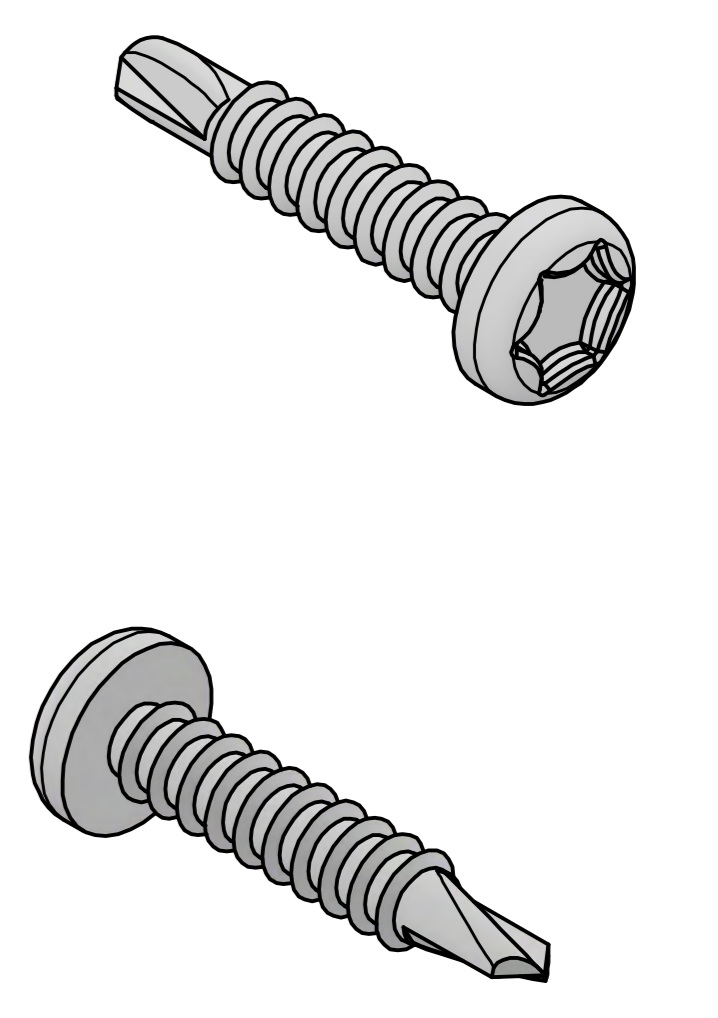
SPIDER CLAMP
ASSEMBLY



V BEND SIZE



MESH SIZE



Self Drilling Screw

PARTS LIST			
ITEM	QTY	PART NUMBER	DESCRIPTION
3	1	CONCRETE BLOCK	
4	4	SPIDER CLAM ASSY	
5	1	MESH-PANNEL..	
6	1	MESH-PANNEL..	
10	1	76x76x2 Tubing	
11	1	76x76x2 Tubing	
12	1	CONCRETE BLOCK	
13	4	SPIDER CLAM ASSY	

MESHTechTM
SEE-THROUGH FENCING SPECIALISTS
WWW.MESHTech.CO.ZA

Designed by Jurgens	Checked by Weber	Approved by Weber	Date 2024/03/06	Date 2024/03/06
1.2 M Tubing Fence MAIN GA 1				Sheet 1 / 1